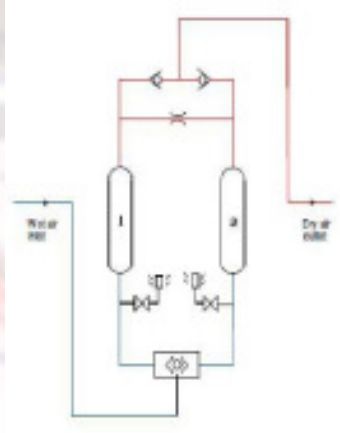




- Inlet condition have been designed for - ISO 7183-1986 (E) option B
- Outlet air quality Class - ISO:8573-1:1991 (E) class 3
- Noise level will be < 70 decibels
- Free from corrosion & scale formation at inner & outer sides
- Uses high strength adsorbent material

Heatless Desiccant
Compressed Air Dryer
Dryspell Series

Dryspell Desiccant Dryer offers total cleaning solution for lubricated as well as non-lubricated compressed Air.



Principle of Operation

Drying Cycle : Air with water vapour passing through the aluminum drying tower filled with desiccant gets completely dried (up to -20°C PDP). The desiccant fines from the towers are completely removed and clean dry air is let out through the outlet port for use.

Regeneration Cycle: During the regeneration cycle, the sudden depressurisation brings out water molecule strapped in the desiccant pores to the surface of the beads. A small portion of dry compressed air from the drying tower then passes over the desiccant through the regeneration orifice. This results in complete regeneration of the desiccant.

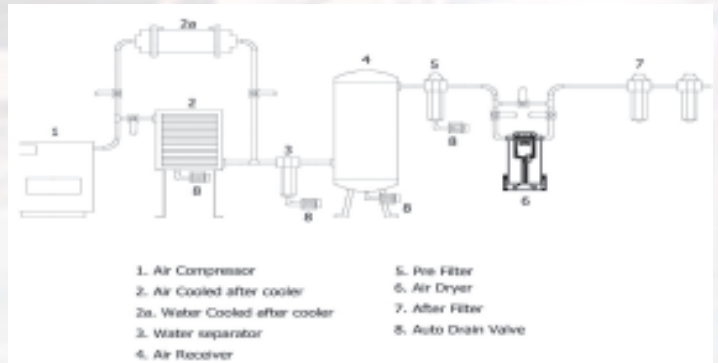
Application

- Paint spray booths
- Tool, valve, cylinder protection
- Food packaging machine
- Auto garage
- Textile & garment
- SPM
- Instrumentation

Market Acceptance

- Excellent performance
- High reliability
- Require less service time
- Reasonable cost
- Low moving components
- Low maintenance
- Safe operation
- Global support

Recommended Installation



Specifications

- Max Working Pressure : 16 bar (g)
- Rated Inlet Temperature : 38°C
- Rated Inlet Pressure : 7 bar (g)
- Operating Voltage : 85-260 VAC
50 / 60 Hz 1Ph
- Outlet Conditions : Dry air at -20°C PDP*
- Purge loss : 12 ± 1 %
- Pressure drop : 0.3 bar Max.

*ISO:8573-1:1991 (E) class -3-

Model	Product code	Flow (m ³ /hr)**	End connection BSP	Dimensions (mm)			Weight (kg)	Recommended accessories	
				H	W	D		Pre filter	Post filter
Dryspell 5 V1	PD348	9	3/8"	360	190	120	6	T32 Y EA	T32 X IA

** As per ISO 7183 Option B rated conditions

Trident Pneumatics Pvt Ltd

5/232, K.N.G. Pudur Road, Coimbatore - 641 108, India. Ph : +91-422-2400492, 2401373 Fax : +91-422-2401376

e-mail : sales@tridentpneumatics.com Website : www.tridentpneumatics.com

Sales Outlets	Gujarat	Karnataka	Tamilnadu & Kerala	North Region	Andhara Pradesh, Telangana & Chhattisgarh	Kolkatta	Maharashtra & M.P	After Sales
	9624436308	9789480564	9789480564	7397719565	9885445321	9025404538	9867367726	8870010565